

## Levelling elements

### Technopolymer base, steel stem

#### BASE

Glass-fibre reinforced polyamide based (PA) technopolymer, black colour, matte finish.

#### ARTICULATED THROUGH STEM

Threaded zinc-plated steel with regulation hexagon. Assembled to the base by means of zinc-plated steel set screw and washer.

#### CUP WASHER FOR STEM BEARING

Glossy zinc-plated steel.

#### STANDARD EXECUTIONS

- **LV.A-ACV**: without no-slip disk.
- **LV.A-ACV-AS**: with NBR rubber no-slip disk, hardness 90 Shore A, supplied assembled with reinforced zinc-plated steel plate fixed by means of two screws.

#### FEATURES

The special knurling under the lower lip of the base provides excellent stability and grip when using the levelling element without no-slip disk even on surfaces that are not perfectly flat. The components of the levelling elements (base and stem) are supplied already assembled.

#### ACCESSORIES ON REQUEST

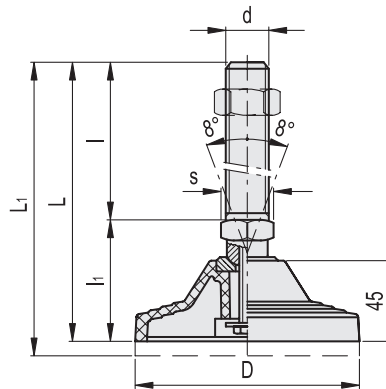
Zinc-plated steel nut (see Nuts NT, on page 1223).

#### SPECIAL EXECUTIONS ON REQUEST

AISI 304 stainless steel stems.



ELESA Original design



#### LV.A-ACV

#### LV.A-ACV-AS

Code	Description	Code	Description	D	d	L	L1#	I	II	s	Max. limit static load* [N]	⚖️	⚖️#
306921	LV.A-125-ACV-M20x136	310921	LV.A-125-ACV-AS-M20x136	125	M20	200	210	136	64	24	40000	580	830
306925	LV.A-125-ACV-M20x186	310925	LV.A-125-ACV-AS-M20x186	125	M20	250	260	186	64	24	40000	690	940
306931	LV.A-125-ACV-M24x136	310931	LV.A-125-ACV-AS-M24x136	125	M24	200	210	136	64	24	40000	730	980
306935	LV.A-125-ACV-M24x186	310935	LV.A-125-ACV-AS-M24x186	125	M24	250	260	186	64	24	40000	840	1090
306941	LV.A-125-ACV-M30x136	310941	LV.A-125-ACV-AS-M30x136	125	M30	200	210	136	64	30	40000	940	1190
306945	LV.A-125-ACV-M30x186	310945	LV.A-125-ACV-AS-M30x186	125	M30	250	260	186	64	30	40000	1030	1280

\* The max static load is the value above which the load applied to the element may cause some plastic material breakage, in particular conditions of use. Obviously, a factor that takes into consideration the importance and the safety level of the specific application must be applied to this value.

# Data with no-slip disk mounted.